

4

3

2

1

THIS DRAWING IS UNPUBLISHED.

RELEASED FOR PUBLICATION

2010

© COPYRIGHT 2010 BY -

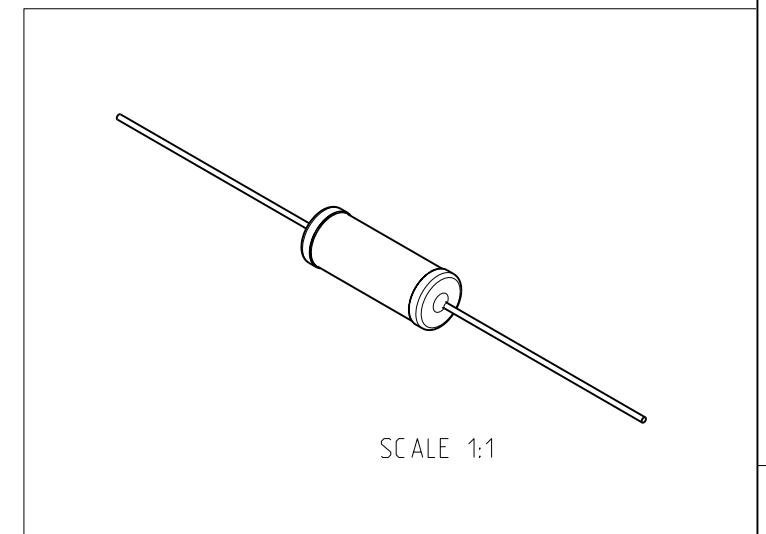
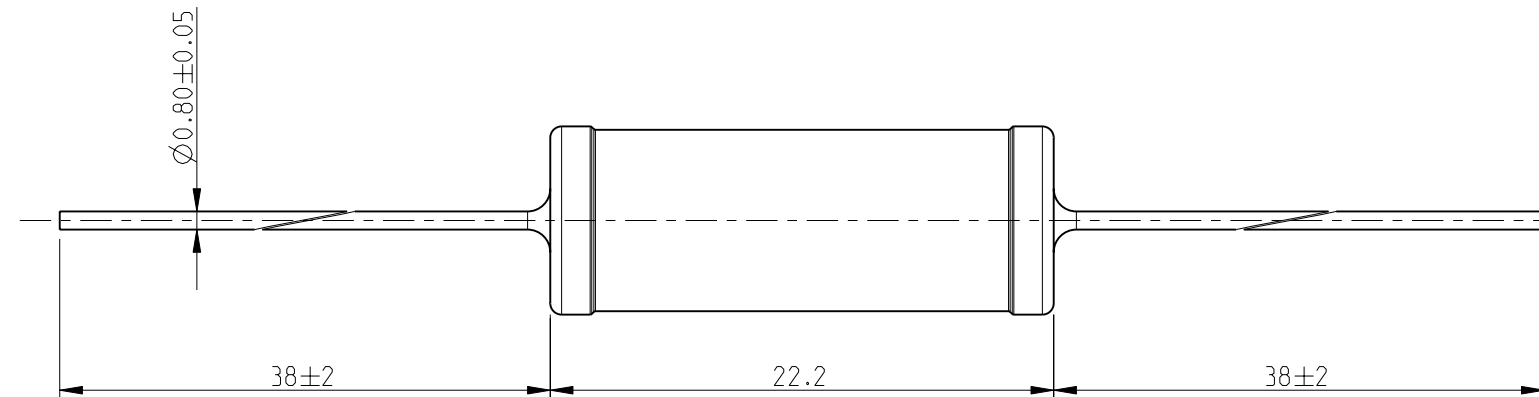
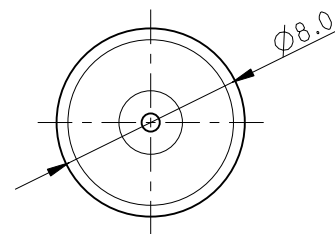
ALL RIGHTS RESERVED.

LOC E DIST B


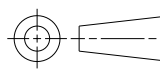
REVISIONS

P	LTR	DESCRIPTION	DATE	DWN	APVD
	BA1	REVISED PER ECO-11-005150	29MAR2011	RK	HMR

FOR FURTHER INFORMATION SEE DATA SHEET FOR SERIES ER/ERV- HIGH POWER RESISTORS



RoHS Compliant

THIS DRAWING IS A CONTROLLED DOCUMENT.		DWN MAHARUDRA 11-FEB-10	 TE Connectivity HIGH POWER RESISTORS SERIES ER58	
DIMENSIONS: mm		CHK ALLAN.P 11-FEB-10		
		APVD STEPHEN.P 11-FEB-10		
TOLERANCES UNLESS OTHERWISE SPECIFIED:		PRODUCT SPEC -	NAME	
0 PLC $\pm 0.2$		APPLICATION SPEC -	SIZE CAGE CODE DRAWING NO RESTRICTED TO	
1 PLC $\pm 0.1$		WEIGHT -	A3 00779 C= 1623750 -	
2 PLC $\pm -$		CUSTOMER DRAWING	SCALE 3:1 SHEET 1 OF 1 REV BA1	
3 PLC $\pm -$				
4 PLC $\pm -$				
ANGLES $\pm 5^\circ$				
FINISH -				